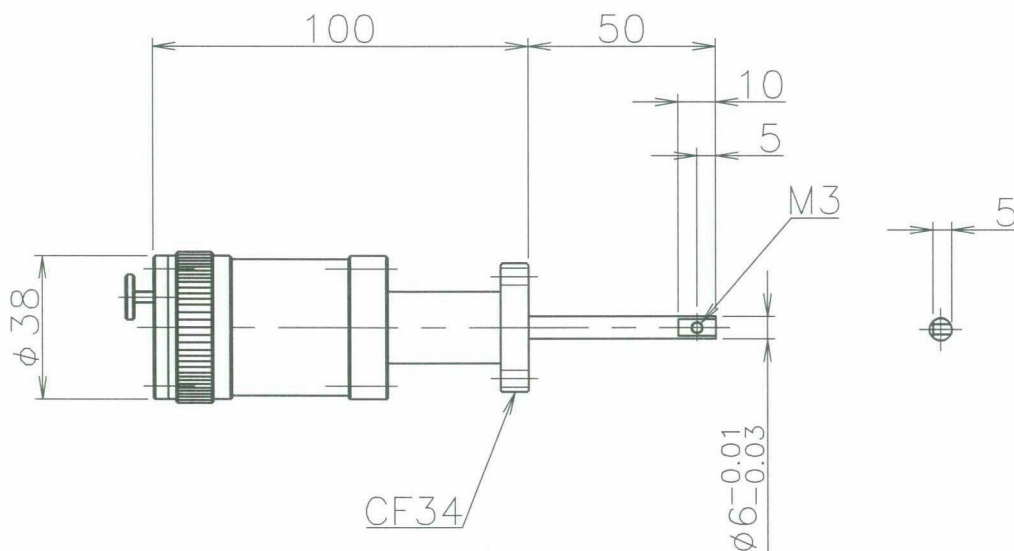


VMR-34H Rotary Motion Feedthrough

This is an ultrahigh vacuum compatible compact rotary motion feedthrough. Our rotary motion feedthrough is designed with magnet coupling and is oil-free structure that enables baking. With the powerful magnet, it can be used for motor drive. Moreover, it will not need special hexagon wrenches to tighten flange bolts but your hexagon wrench could be used.

SPECIFICATIONS

1) Baking Temperature	200 °C (Except moving parts)
2) Leak Rate	1×10^{-10} Pa · m ³ /s or less
3) Torque Transmission	1.5 Kg c m (at manual operation)
4) Connection Flange	1×10^4 or more



PRODUCTS

- Cryostat for Superconducting Detectors
- Cryogenics
- Thin Film Deposition Systems
- UHV (HV) Systems
- UHV Components

VAC FIELD Co., Ltd.

Meguritacho42, Kodaira-City, Tokyo

187-0013, Japan

TEL +81-42-328-6770

FAX +81-42-328-6785

e-mail : infom@vacf.jp