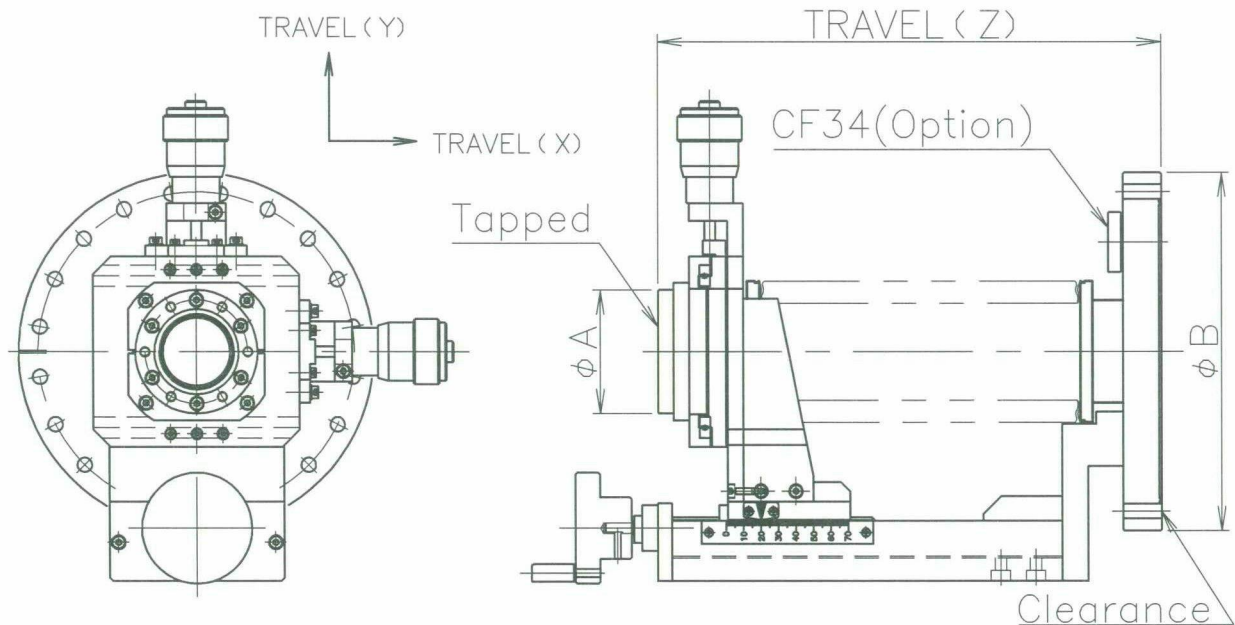


# VST Series X-Y-Z Stage

Our X-Y-Z stage for UHV (VST Series) is designed with bellows seal and is oil-free structure. With the large handle, it guarantees superiority of operation performance. CF34 for vacuum feedthrough can be attached to Flange B. No resin component is included therefore it is also accommodated for baking. Please let us know your requirement of specification.

## SPECIFICATIONS

1) Baking Temperature	200°C (Except moving parts)
2) Leak Rate	$1 \times 10^{-10}$ Pa · m <sup>3</sup> /s or less
3) Minimum Readable Resolution	0.05 mm (X and Y)
4) Life Cycle	$1 \times 10^4$ or more
5) TRAVEL (X and Y) (choices)	$\pm 12.5$ mm $\pm 10$ mm $\pm 5$ mm



\* Motor-driven type also can be manufactured.

Please let us know flange size (A and B) and TRAVEL (X, Y and Z).

### PRODUCTS

- Cryostat for Superconducting Detectors
- Cryogenics
- Thin Film Deposition Systems
- UHV (HV) Systems
- UHV Components

### **VAC FIELD Co., Ltd.**

Meguritacho42, Kodaira-City, Tokyo

187-0013, Japan

TEL +81-42-328-6770

FAX +81-42-328-6785

e-mail : infom@vacf.jp