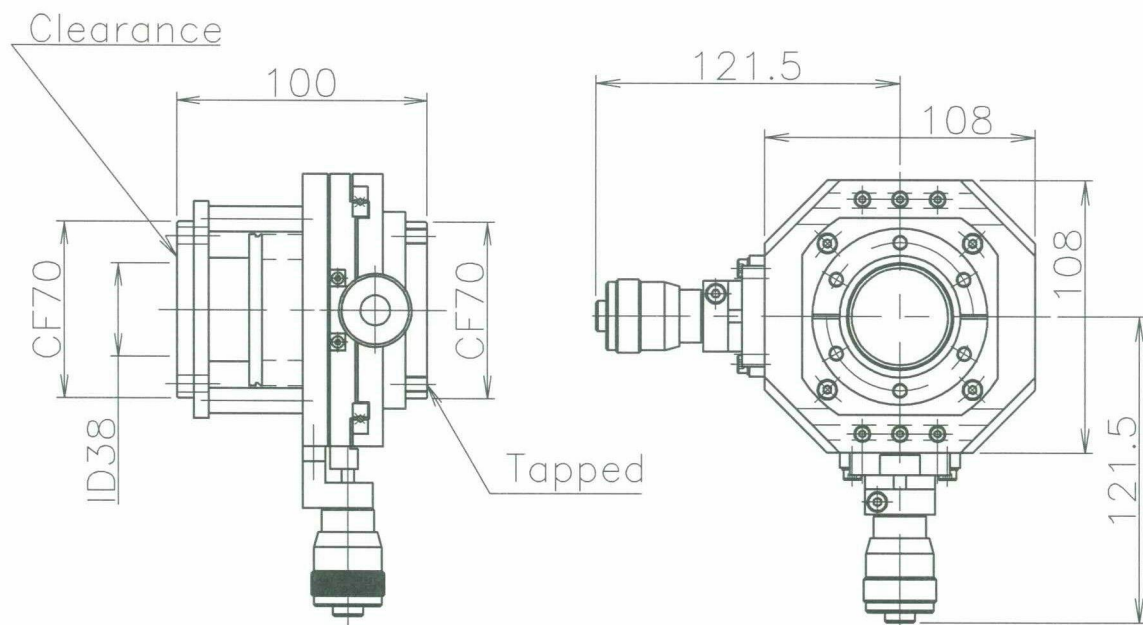


VFS-222HM X-Y Stage

Our X-Y stage for UHV (VFS-222HM) is designed with bellows seal and is oil-free structure. No resin component is included therefore it is also accommodated for baking.

SPECIFICATIONS

- | | |
|--------------------------------|--|
| 1) Baking Temperature | 200°C (Except moving parts) |
| 2) Leak Rate | 1×10^{-10} Pa · m ³ /s or less |
| 3) Minimum Readable Resolution | 0.05 mm |
| 4) Life Cycle | 1×10^4 or more |
| 5) Travel | ±5 mm (for both X and Y Axis) |



* Manufacturing with CF114 is possible.

** Motor-driven type also can be manufactured.

PRODUCTS

- Cryostat for Superconducting Detectors
- Cryogenics
- Thin Film Deposition Systems
- UHV (HV) Systems
- UHV Components

VAC FIELD Co., Ltd.

Meguritacho42, Kodaira-City, Tokyo
187-0013, Japan

TEL +81-42-328-6770

FAX +81-42-328-6785

e-mail : infom@vacf.jp

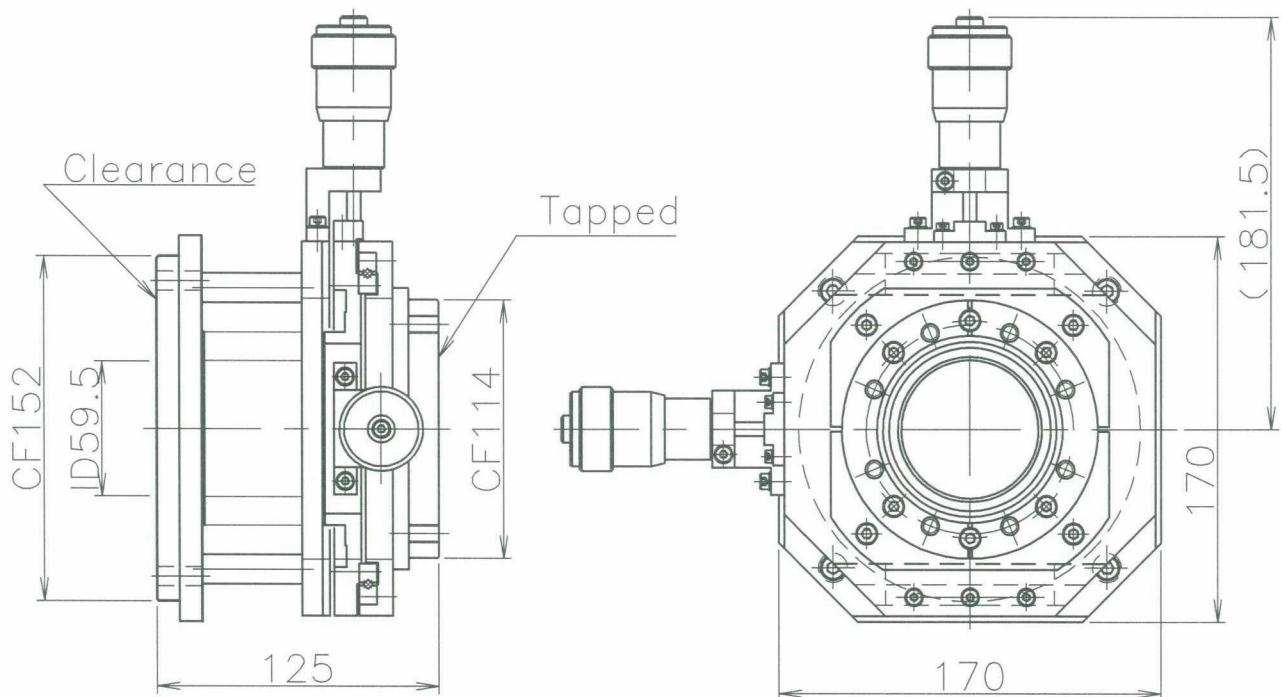
VFS-642HM X-Y Stage

Our X-Y stage for UHV (VFS-642HM) is designed with bellows seal and is oil-free structure. With the large handle, it guarantees superiority of operation performance.

No resin component is included therefore it is also accommodated for baking.

SPECIFICATIONS

- | | |
|--------------------------------|--|
| 1) Baking Temperature | 200°C (Except moving parts) |
| 2) Leak Rate | 1×10^{-10} Pa · m ³ /s or less |
| 3) Minimum Readable Resolution | 0.05 mm |
| 4) Life Cycle | 1×10^4 or more |
| 5) Travel | ± 12.5 mm (for both X and Y Axis) |



* Motor-driven type also can be manufactured.

PRODUCTS

- Cryostat for Superconducting Detectors
- Cryogenics
- Thin Film Deposition Systems
- UHV (HV) Systems
- UHV Components

VAC FIELD Co., Ltd.

Meguritacho42, Kodaira-City, Tokyo

187-0013, Japan

TEL +81-42-328-6770

FAX +81-42-328-6785

e-mail : infom@vacf.jp